

LED Flush Mount

FM2918
INSTALLATION SHEET

START FROM HERE

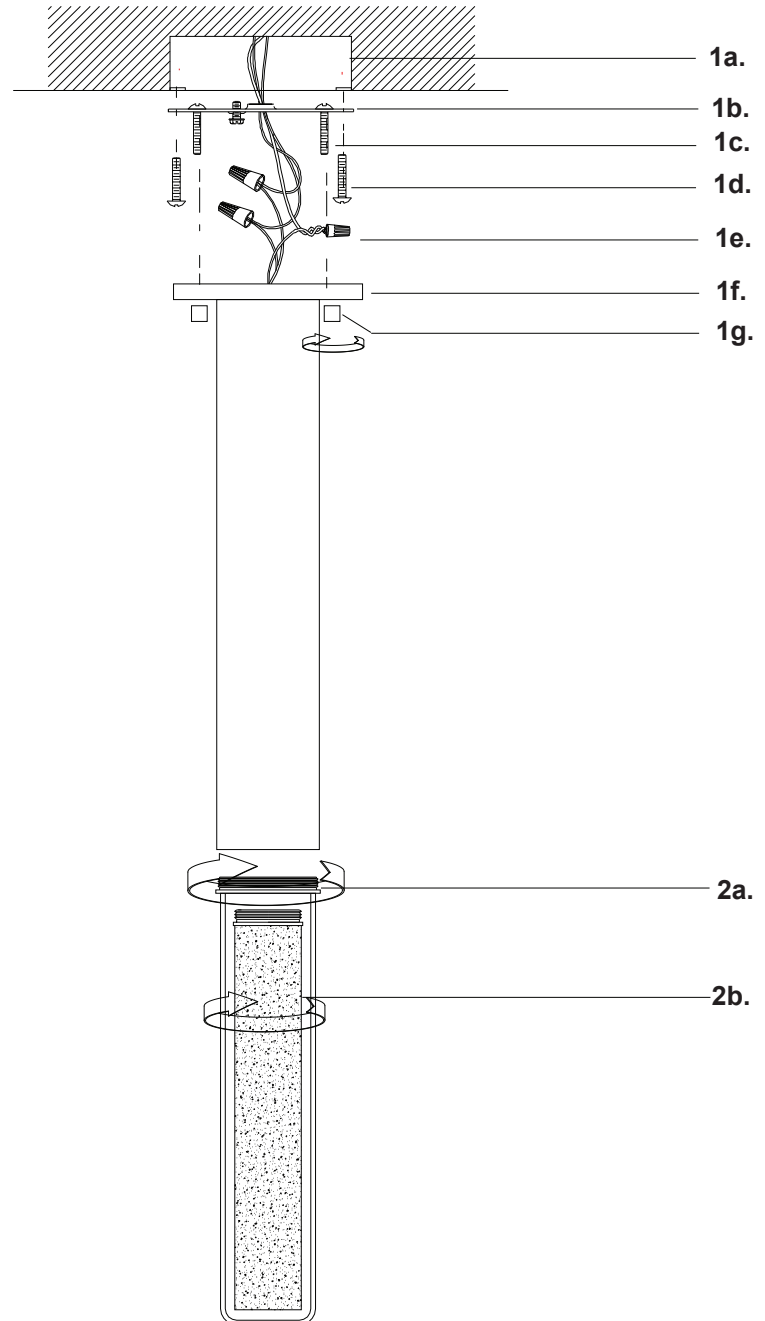
- Make sure power is completely off at the fuse box.
- Have your fixture installed by a qualified licensed electrician
- Prepare everything in a clear area.
- Wear gloves at all times during this installation.
- Read instructions carefully before you start assembly.
- Keep this instruction sheet for future reference.

Technical Support: 1-877-452-6858

Please Note:

- All Kuzco LED fixtures come with pre-wired LED module(s).
- Unless instructed to do so, please do not touch any part of the LED module(s) as any unnecessary contact with the module could cause permanent damage.
- For dimming, an ELV (Electronic Low Voltage) type of dimmer is required.

- 1.** Remove the fixture from its original packaging. Next, remove the canopy mounting plate (**1b**) from within the canopy (**1f**) by un-threading the two nuts (**1g**).
- 2.** Install the two screws (**1d**) provided to secure the mounting plate to the junction box (**1a**).
- 3.** You are now ready to mount the canopy to the mounting plate. First connect all wires (**1e**) correctly black to black "L", white to white "N" and the ground wire with provided marrets from the hardware package. Align the mounting plate (**1b**) with the two holes on the surface of the canopy (**2f**). Next, screw in the two nuts (**1g**) on to the mounting plate (**1b**), this will secure the canopy to the mounting plate.
- 4.** Next, thread clockwise both crystal cylinder (**2b**) and support frame (**2a**) onto the canopy (**1f**).
- 5.** You have now completed the installation of your fixture, enjoy.



KUZCO
LIGHTING

19054 28th Avenue Surrey, BC Canada V3S 6M3
T: 604 538 7162 TF: 1-855 85 KUZCO F: 604 538 7196
W: kuzcolighting.com
20160527